

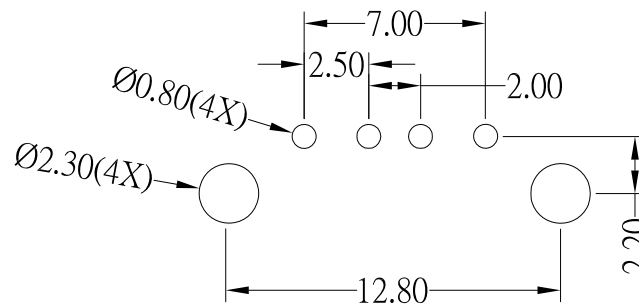
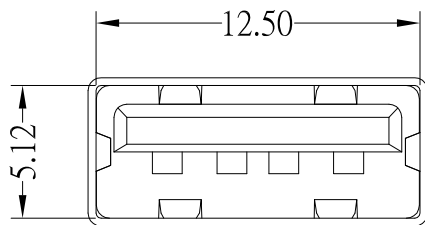
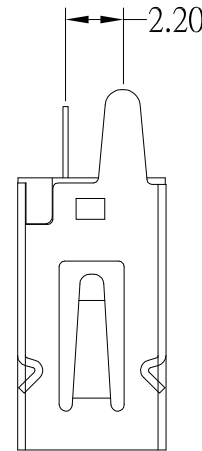
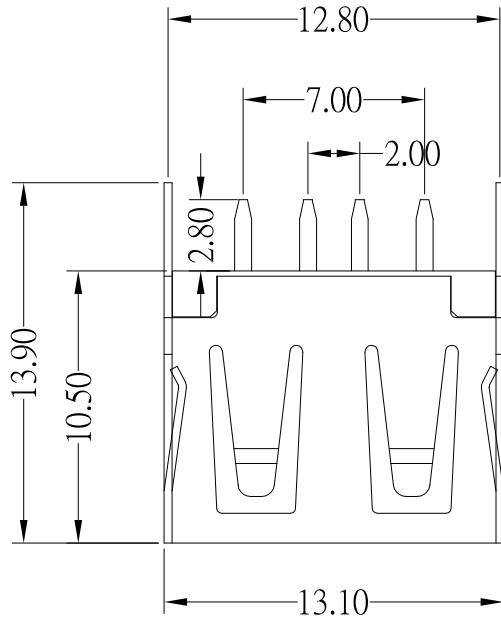


SUA-110V26I-x-S236

Color :

Black : B

White : W



P.C.B LAYOUT MOUNTING PATTERN

SPECIFICATIONS

Electrical:

- 1.Current Rating: 1.5A / contact terminal
- 2.Voltage Rating: 30 VDC
- 3.Contact Resistance: 30 mΩ Max
- 4.Dielectric Withstanding Voltage: 500 V AC AT Sec Level
- 5.Insulation Resistance: 1,000 MΩ Min

Material:

- 1.Housing: PBT
- 2.Contact: Brass
- 3.Shell: Spcc

Finish:

- 1.Contact: Plated Gold in Mating Area ;
Tin Plated on Solder Balls
Nickel under plated overall
- 2.Shell: Nickel under Plated surface layer

2	新增PCB LAYOUT尺寸	Jack	071924
1	更新外殼材質只做SPCC	Jack	051121
ITEM NO.	DESCRIPTION	DRAWN	DATE

CONTACT 建倚科技股份有限公司
CONTACT TECHNOLOGY CORP.

TOLERANCE UNLESS OTHERWISE STATED :	Up to 5 ±0.2	3RD. ANGEL'S	UNITS	MM
	Above 5 ~ 15 ±0.3			
	Above 15 ~ 30 ±0.4			
	Above 30 ~ 50 ±0.5			
	Angle ±0.3°			

DRAWN BY:	DATE	MATL	TITLE	CONNECTOR
Jack Lu	07/19/24			
CHECKED BY:	DATE	FINISH	MODLE	USB AF 直立式 插板直腳無捲邊 L10.5mm 腳距 2.20mm
Jacky Chen	07/19/24			
APPROVED BY:	DATE	SCALE	DWG NO.	SUA-110V26I-x-S236
Tony Kao	07/19/24	1 : 1		
		SHEET NO.	PART NO.	SUA-110V26I-x-S236
		1 of 1		